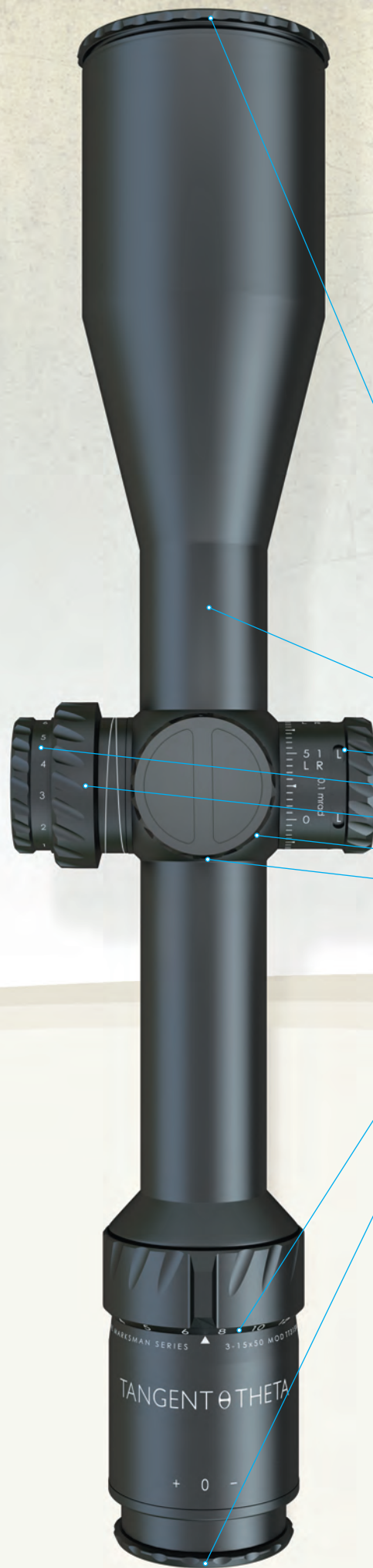


Professional Marksman Series  
RIFLE TELESCOPE  
3-15x50mm Model TT315M

Tangent Theta 3-15x50mm model TT315M Rifle Telescope is an intermediate-range precision sighting instrument for police and security marksmen. Designed as a reduced-weight professional marksman rifle telescope, the TT315M incorporates precise adjustment mechanisms with zero stops and mechanical revolution and windage direction indicators that virtually eliminate adjustment errors. The optical path has been optimized for unsurpassed image quality, allowing the marksman to see minute target detail and to remain in the aim for extended periods without eye fatigue.

Tangent Theta rifle telescopes are built in Canada and are specifically designed and function-tested for long lifecycles in the harshest of environmental conditions.

- 50mm objective lens
- 30mm main tube
- mechanical windage direction indicator
- eleven reticle illumination settings
- side parallax adjustment
- non-translating knobs with elevation zero-stop
- double-turn elevation with rev indicator
- 3-15x magnification range
- rapid diopter setting



Professional Marksman Series  
RIFLE TELESCOPE  
3-15x50mm Model TT315M





Professional Marksman Series  
RIFLE TELESCOPE  
3-15x50mm Model TT315M

SPECIFICATIONS\*

Magnification	3x-15x
Length	351mm
Width	84mm
Height	69mm
Weight	786g
Tube diameter	30mm
Objective bell diameter	57mm
Objective lens diameter	50mm nominal
Eyepiece diameter	43mm
Reticle options	Gen 2, Gen 2XR, MoA
Field of View @ 3x	7.3 degrees (12.8m @ 100m)
Field of View @ 15x	1.6 degrees (2.8m @ 100m)
Diopter range	-3 to +2.5
Eye relief	90mm
Exit pupil @ 3x	11.5mm
Exit pupil @ 15x	3.5mm
Total Adjustment Range	
Elevation	18 mrad (60 MoA)
Windage	+/- 12 mrad (+/-40 MoA)
Working Adjustment Range	
Elevation	12 mrad (40 MoA)
Windage	+/- 6 mrad (+/- 20 MoA)
Adjustment resolution	0.1 mrad or 1/4 MoA
Re-zero mechanism	twin setscrew
Parallax adjustment range	50m to infinity
Crosshair illumination	LED, 11 settings
Battery type	DL2032 3v lithium
Exterior finish	Type II Anodized, matte
Elevation dial adjustment	
Double turn	6 mrad (20 MoA) per turn
Environmental	
Waterproof:	4 hours @ 10 meters
Shockproof:	700g's @ 10,000 cycles
Standard accessories	Tenebraex® lens covers & ARD



TANGENT THETA  
3-15x50mm Model TT315M

master distribution by:  
**Armament  
Technology**  
INCORPORATED  
www.armament.com  
sales@armament.com

\* Subject to change. Consult [www.tangenttheta.com](http://www.tangenttheta.com) for current specifications.